

Now Manage Everything with 42Gears Things Management



Traditionally, device management has been limited to managing devices based on developer-friendly operating systems. Developers could write codes, using APIs published by OS vendors, to help manage “smart” devices and endpoints. However, there are various types of peripherals, accessories, sensors and equipment (connected devices) that run on rudimentary systems incapable of running custom third-party codes. These limitations made the management of peripherals and accessories next to impossible for device management tools.

42Gears Things Management Technology (TMT) brings a unique offering to the table. It provides a framework by which such “not-so-smart” devices can be managed from the UEM console, just like any other device. 42Gears helps developers write custom “Things Connectors” to support the management of any kind of peripherals or endpoints.



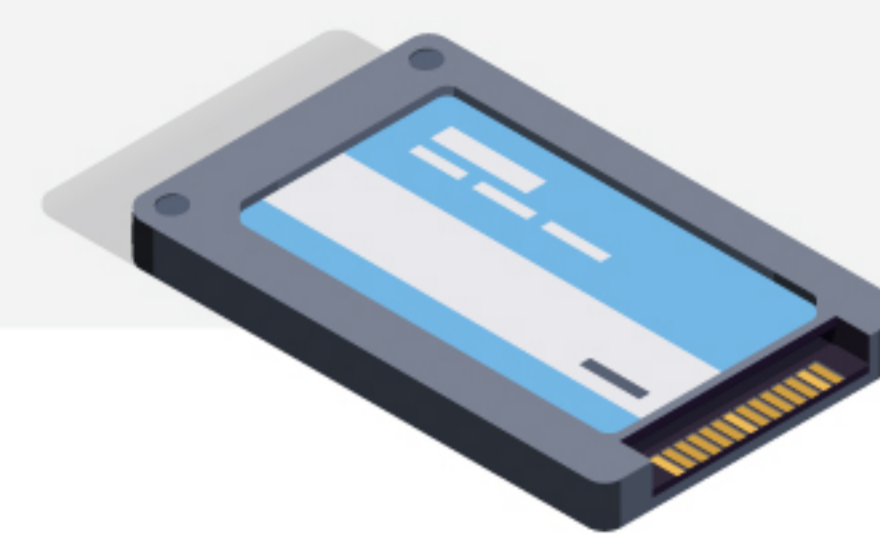
Types of “not-so-smart” devices that can be managed using 42Gears Things Management Technology include (but are not limited to):



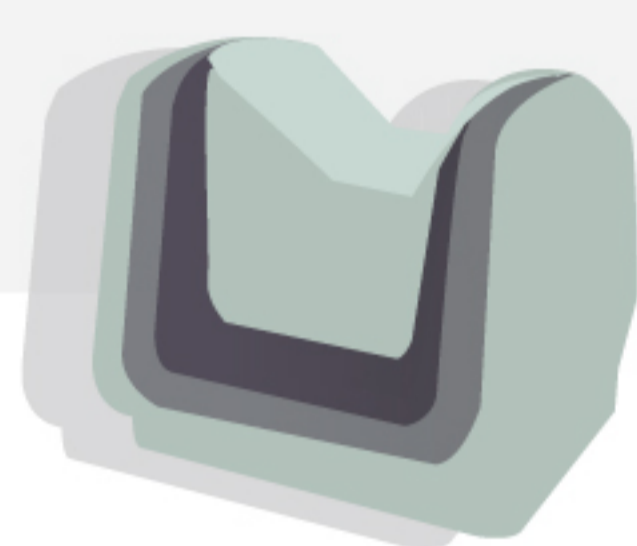
Label Printers



Handheld Scanners



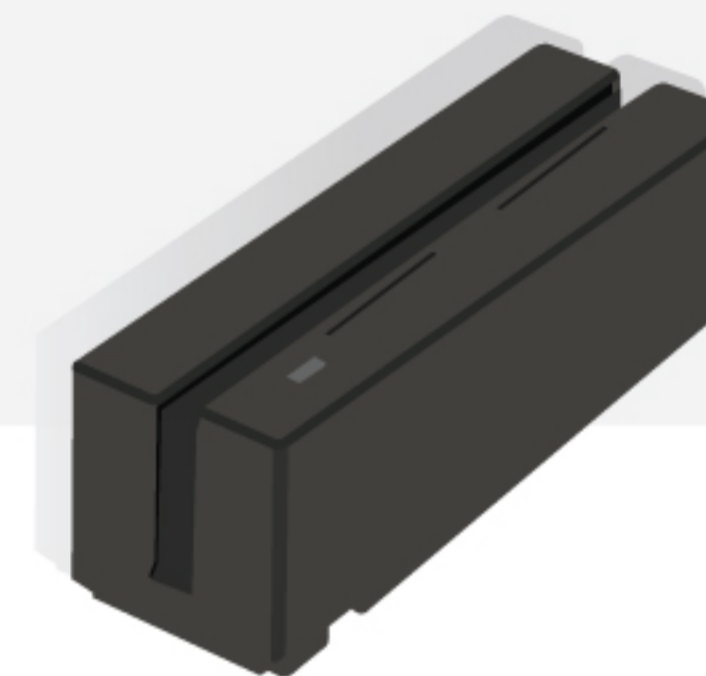
Smart Batteries



Charging Docks



Bluetooth Controllers



Card Readers



Smart Bulbs



Smart Plugs



**Devices with WiFi, Bluetooth
or USB connectivity**

Benefits

- Empowers IT teams to remotely view and manage connected devices/peripherals/accessories
- Reduces the burden on IT to update and patch firmware
- Reduces costs by helping organizations be more proactive about hardware maintenance
- Simplifies Asset Tracking

“42Gears has been recognized as a Visionary in Gartner Magic Quadrant for UEM Tools 2018 and 2019”



Neil Kirkwood, Digital Consultant UK & Europe at 42Gears Mobility Systems,
Email: neil.kirkwood@42gears.com, Mobile: 074046 81893, Website: www.42gears.com



[/company/42gears](https://www.linkedin.com/company/42gears)



[/42gears](https://www.facebook.com/42gears)



[@42gears](https://twitter.com/42gears)



[/42gears](https://www.youtube.com/42gears)

www.42gears.com